

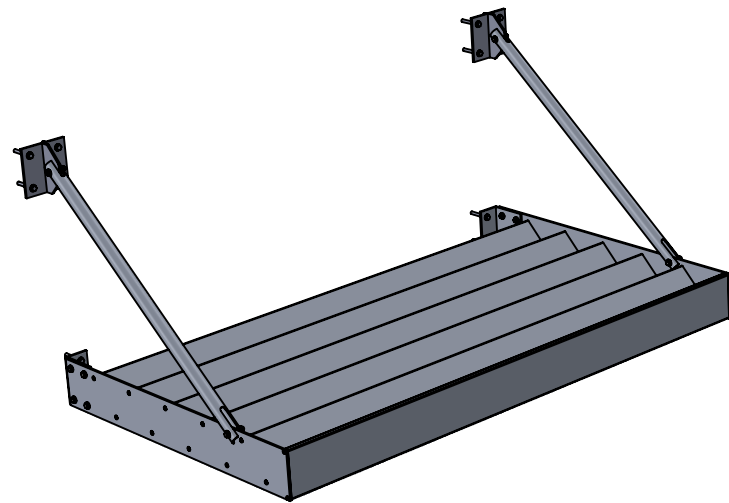


2100 E. Richmond Ave
Fort Worth, TX 76104
Call: 817.926.7270
Fax: 817.926.7311
www.arch-fab.com

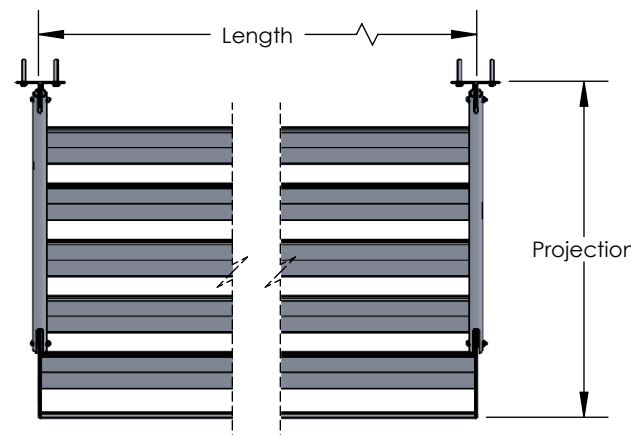
MODEL: SUNSHADE

Information is subject to change. Updated 12/4/2020

Architectural Fabrication's Extruded Aluminum Sunshades provide energy efficiency and weather protection while adding depth and character to your building. Durable, efficient and flexible in the field, these sunshades are the perfect solution to your sun-protection needs. The Arch-Fab QuickShip Options can be shipped in two weeks. If you are looking for a custom option, we can help with that too - just request a quote.



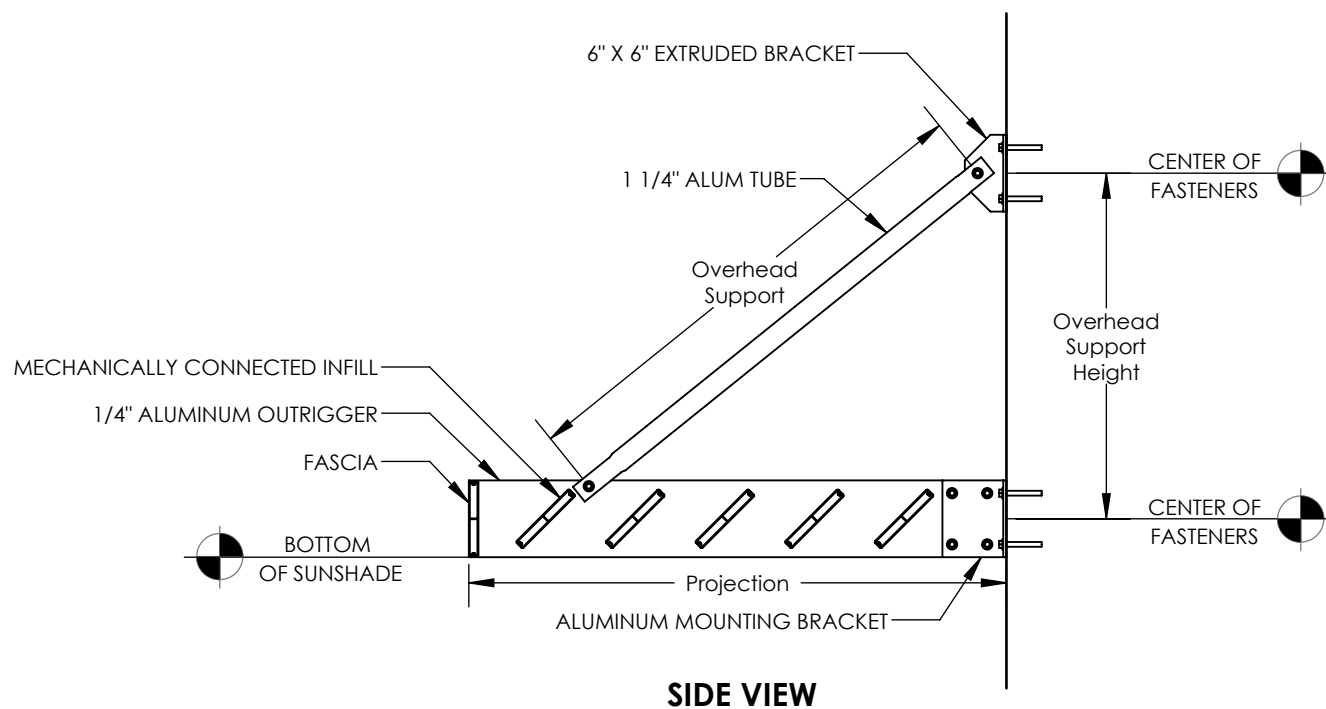
QuickShip Sunshade Sizes	
Projection	Length
3'-6" (42")	3'-0" (36")
	4'-0" (48")
	5'-0" (60")
	6'-0" (72")



TOP VIEW

SUNSHADE PARTS

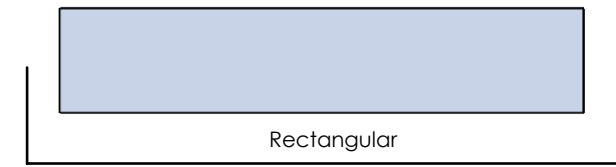
- 6063-T5
- Infill Shape: 6" x 1" Shutter Blade, 6" Airfoil or Custom
- Infill Pieces: 5 or Custom
- Infill Orientation: 45° or Custom
- Fascia Shape: 6" x 1" Shutter Blade or Custom
- Projection: 42" or Custom
- Length: 36", 48", 60", 72" or Custom
- Overhead Supports: 1 1/4" Aluminum Tube
- Overhead Wall Brackets: 6" x 6" Extruded Aluminum brackets



SIDE VIEW

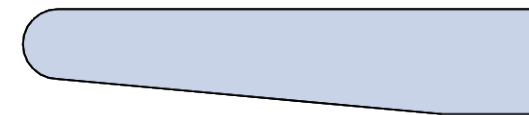
OUTRIGGER OPTIONS

MULTIPLE SIZES OF SHAPES AVAILABLE

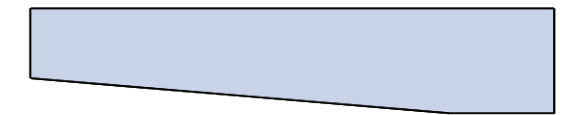


Rectangular

QUICKSHIP OPTIONS



Tapered & Round



Tapered & Squared



Round



Airfoil Matched

CUSTOM OPTIONS

INFILL OPTIONS

MULTIPLE SIZES OF SHAPES AVAILABLE



AIRFOIL



SHUTTER BLADE



SHADOW BLADE



HALF ROUND



Z-BLADE

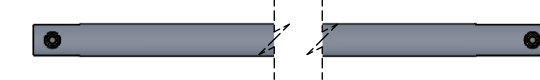


ROUND

QUICKSHIP OPTIONS

CUSTOM OPTIONS

SUPPORT TUBE



1 1/4" Sch40 Aluminum Pipe

QUICKSHIP POWDER COAT COLORS

Colors represented in this brochure are indicative only. Actual powder coat colors may vary.



Anodized Silver*



Dark Bronze*



Matte Black*



Gloss White



Sierra Tan



Slate Gray



Bright Red

Custom colors, wood grain powder coat, Kynar, and anodized finishes available.

Note: Select design options and colors indicated by an asterisk (*) may be available in a shorter lead time.