



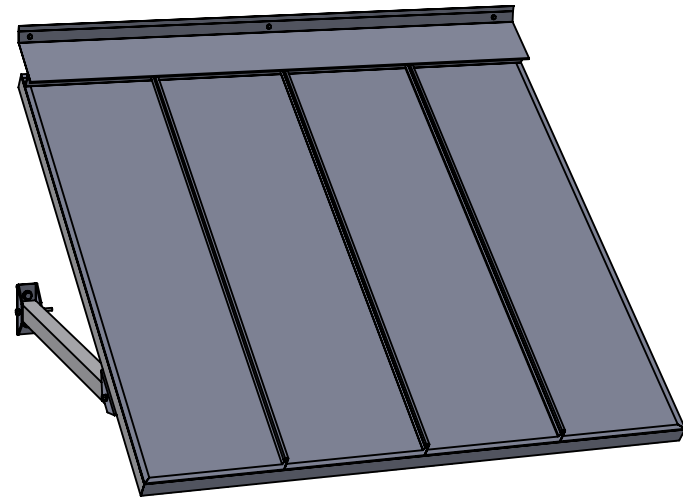
2100 E. Richmond Ave
Fort Worth, TX 76104
Call: 817.926.7270
Fax: 817.926.7311
www.arch-fab.com

MODEL: STANDING SEAM AWNING

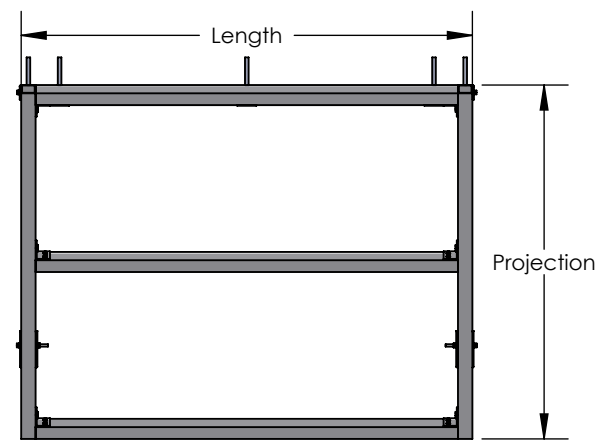
Aluminum Tube Frame with
Standing Seam Panels

Information is subject to change. Updated 12/4/2020

Standing Seam Awnings create a stunning first impression over windows and doors while providing protection from the elements and sun. Architectural Fabrication's Standing Seam Awnings are stylish and can be modified to accent any opening. The Arch-Fab QuickShip Options can be shipped in two weeks. If you are looking for a custom option, we can help with that too - just request a quote.



QuickShip Standing Seam Awning Size		
Projection	Length	Slope
3'-1" (37")	3'-11" (47")	3'-8" (44")

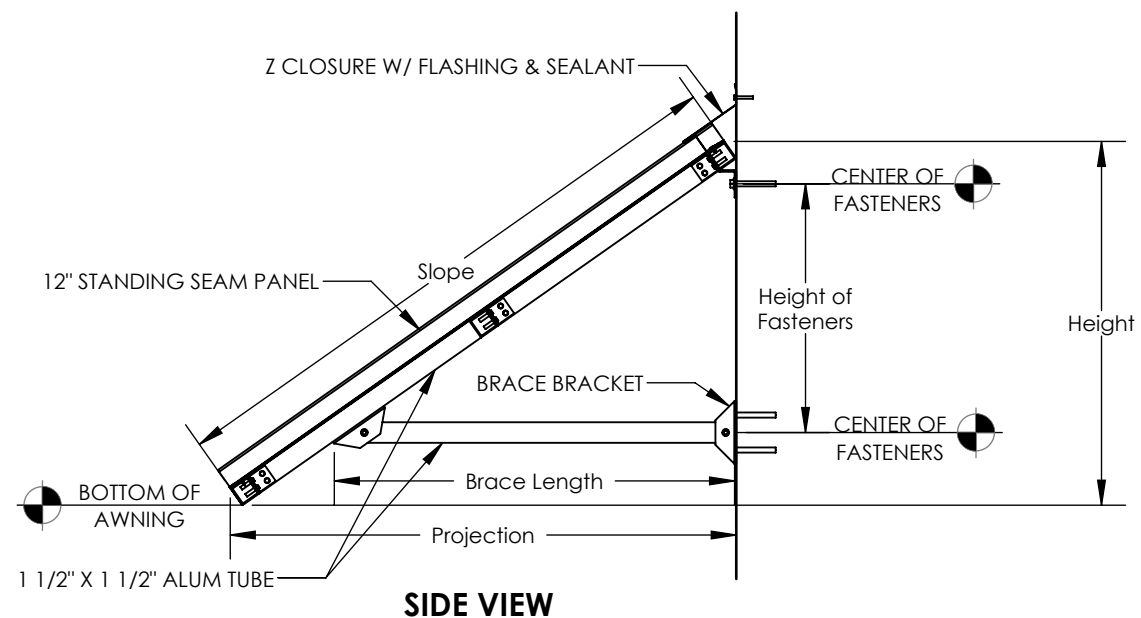


TOP VIEW

Standing seam and flashing removed for clarity.

STANDING SEAM AWNING PARTS

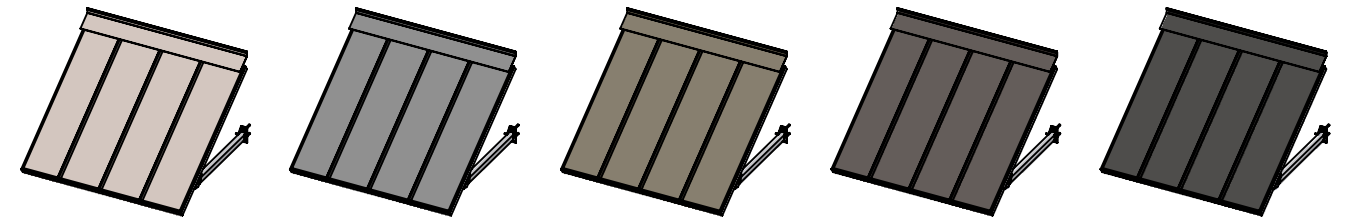
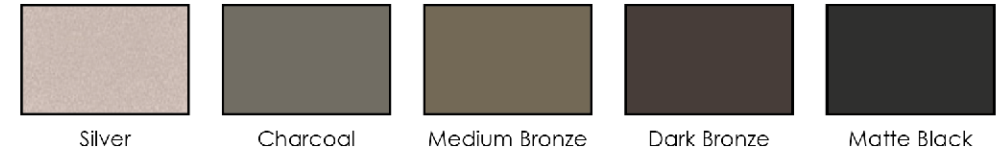
6063-T5
Frame: 1 1/2" x 1 1/2" x .093" Aluminum Tube
Projection: 37"
Length: 47"
Slope: 44"
Cover: Standing seam panels
Flashing and Sealant
Braces: 1 1/2" x 1 1/2" x .093" Aluminum Tube
Brace Brackets: 1 1/2" x 4 1/2" Saddle bracket



SIDE VIEW

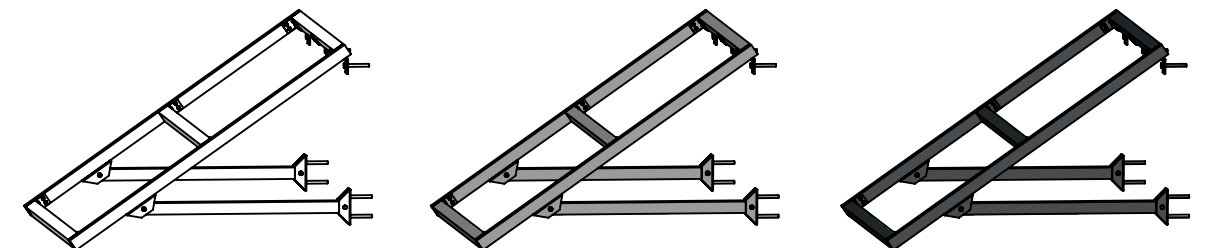
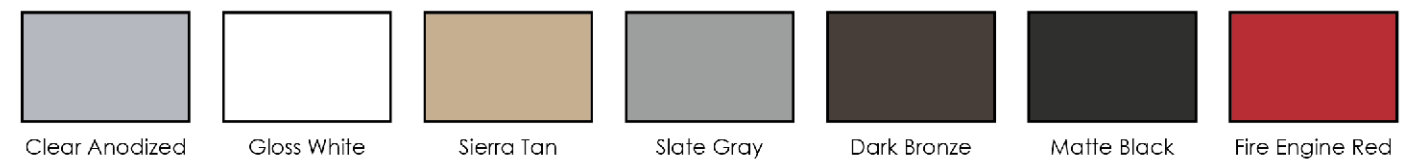
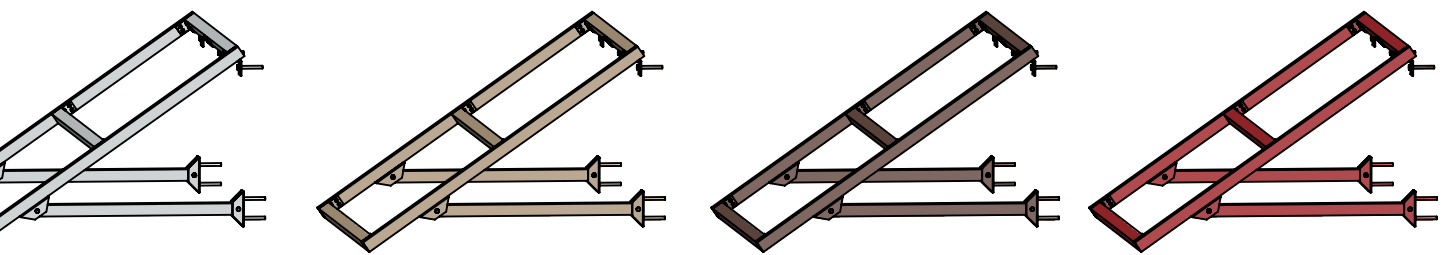
QUICKSHIP SHEET METAL COLORS

Colors represented in this brochure are indicative only. Actual sheet metal colors may vary.



QUICKSHIP POWDER COAT COLORS

Standard frame option will be clear anodized unless otherwise specified to be one of the other powder coat options for an additional fee. Colors represented in this brochure are indicative only. Actual powder coat colors may vary.



Custom colors, wood grain powder coat, Kynar, and anodized finishes available.