

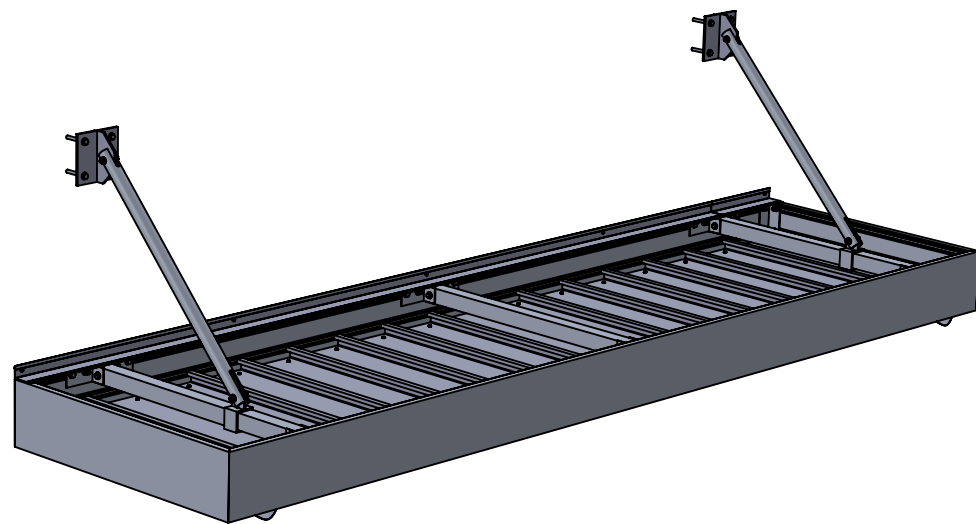


2100 E. Richmond Ave
Fort Worth, TX 76104
Call: 817.926.7270
Fax: 817.926.7311
www.arch-fab.com

MODEL: HELIOS BOLT TRACK

Extruded Aluminum Canopy
Patent No: 9,976,310
Date of Patent: 05/22/2018
Information is subject to change. Updated 12/4/2020

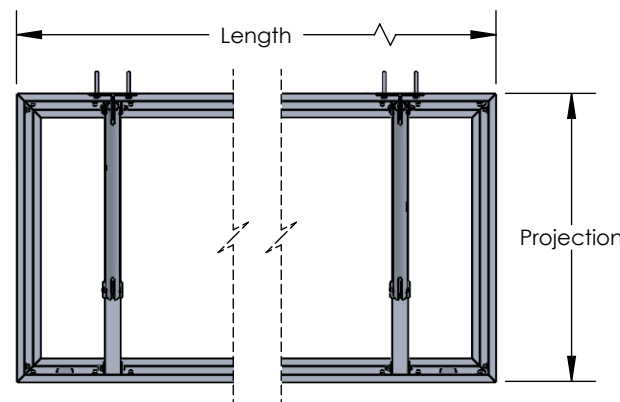
Architectural Fabrication's patented "Helios Bolt Track" extruded aluminum canopy is the most versatile canopy system on the market, using the finest materials to provide long lasting protection while harmonizing with nearly any architectural style. The Arch-Fab QuickShip Options can be shipped in two weeks. If you are looking for a custom option, we can help with that too - just request a quote.



QuickShip Helios Bolt Track Sizes	
Projection	Length
3'-0" (36")	3'-0" (36")
4'-0" (48")	4'-0" (48")
	5'-0" (60")
	6'-0" (72")
	7'-0" (84")
	8'-0" (96")

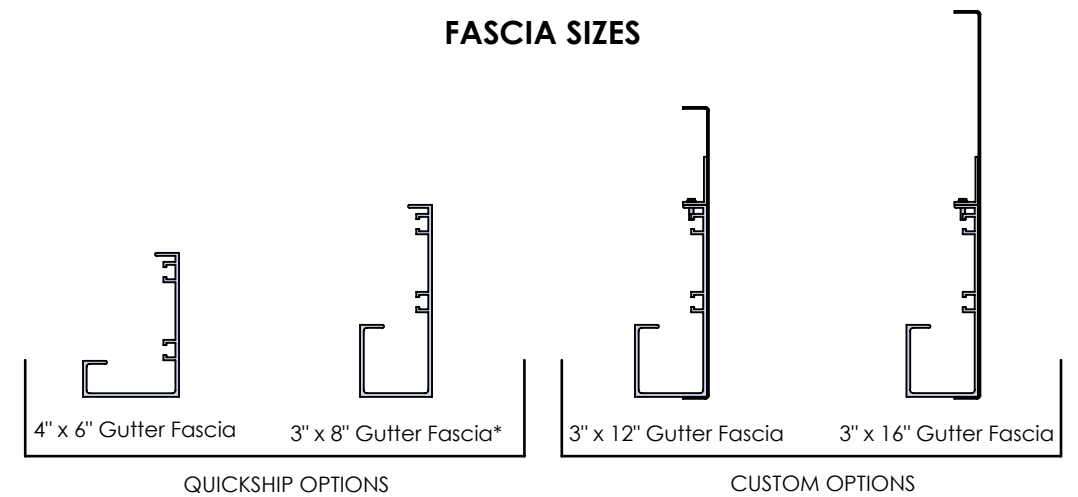
HELIOS BOLT TRACK PARTS

- 6063-T6
- Fascia: 3" x 8" or 4" x 6" Gutter Fascia
- Projection: 36", 48" or Custom
- Length: 36", 48", 60", 72", 84", 96" or Custom
- Infill: 1 1/2" x 8" Flush Deck Pan
- Drainage: Scupper
- Flashing and Sealant
- Overhead Supports: 1 1/4" Aluminum Tube
- Overhead Wall Brackets: 6" x 6" Extruded Aluminum brackets

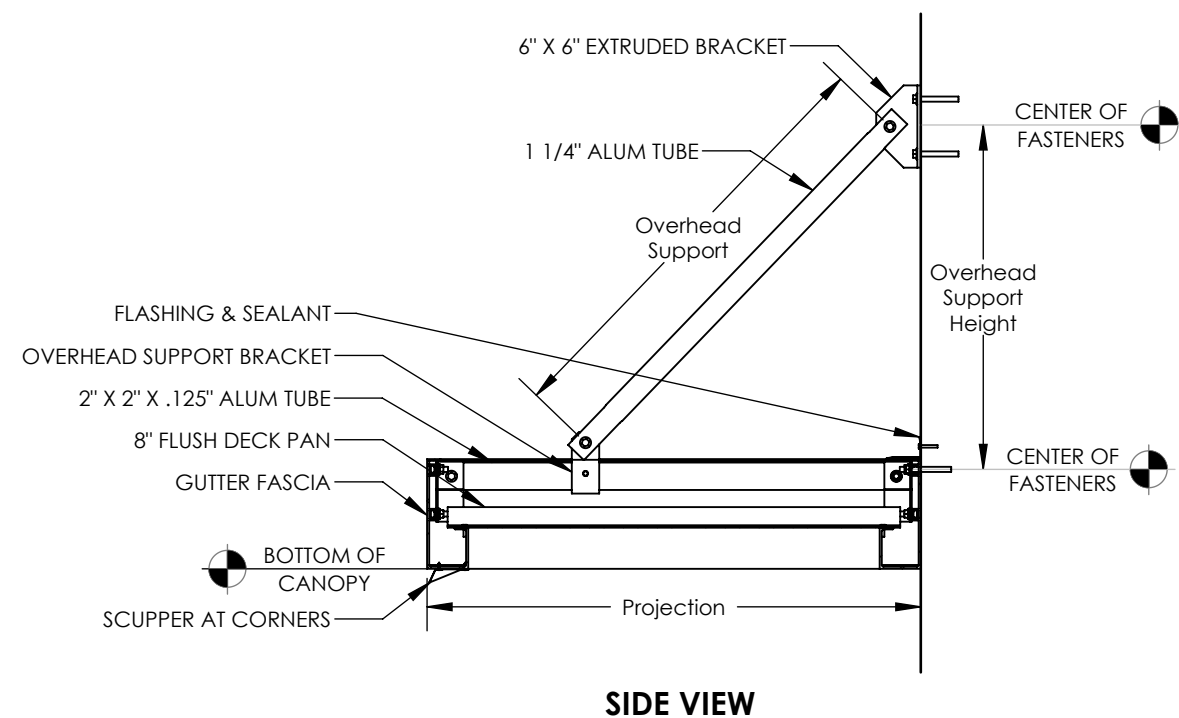
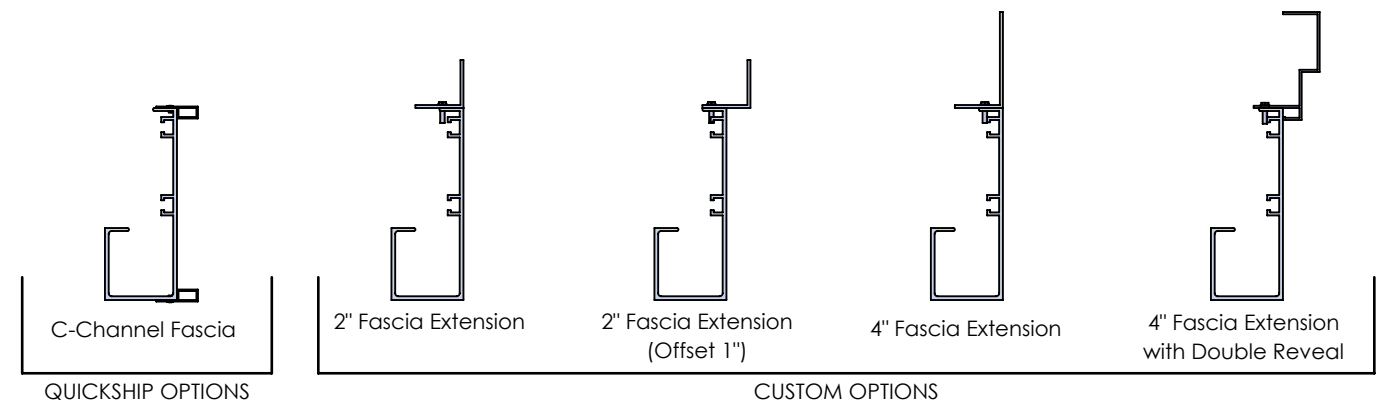


TOP VIEW
Deck pan and flashing removed for clarity.

FASCIA SIZES

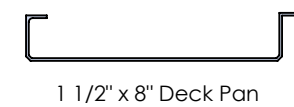


FASCIA ADD-ONS (AVAILABLE FOR ANY FASCIA SIZE)



SIDE VIEW

INFILL



1 1/2" x 8" Deck Pan

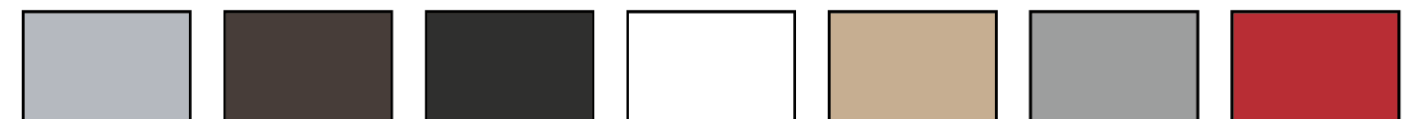
SUPPORT TUBE



1 1/4" Sch40 Aluminum Pipe

QUICKSHIP POWDER COAT COLORS

Colors represented in this brochure are indicative only. Actual powder coat colors may vary.



Anodized Silver* Dark Bronze* Matte Black* Gloss White Sierra Tan Slate Gray Bright Red

Custom colors, wood grain powder coat, Kynar, and anodized finishes available.

Note: Select design options and colors indicated by an asterisk (*) may be available in a shorter lead time.