

TYPE-A1



SOUTH ELEVATION

scale: N.T.S.

1

CLIENT
Carlos F. Jauregui
10027 Hillsdale Ln
Frisco, TX 75033
ARCHITECT
GRAHAM - MARTIN, LTD.

PROJECT
Carlos F. Jauregui
10027 Hillsdale Ln
Frisco, TX 75033

ISSUE
03.17.2015
RE-ISSUE
03.25.2015
REV. 1
DRAWN BY:
Kent Maxwell

DESCRIPTION
Elevation
SALESPERSON
Chris Northrup
PROJECT MANAGER
Peter Bixby
peterb@arch-fab.com

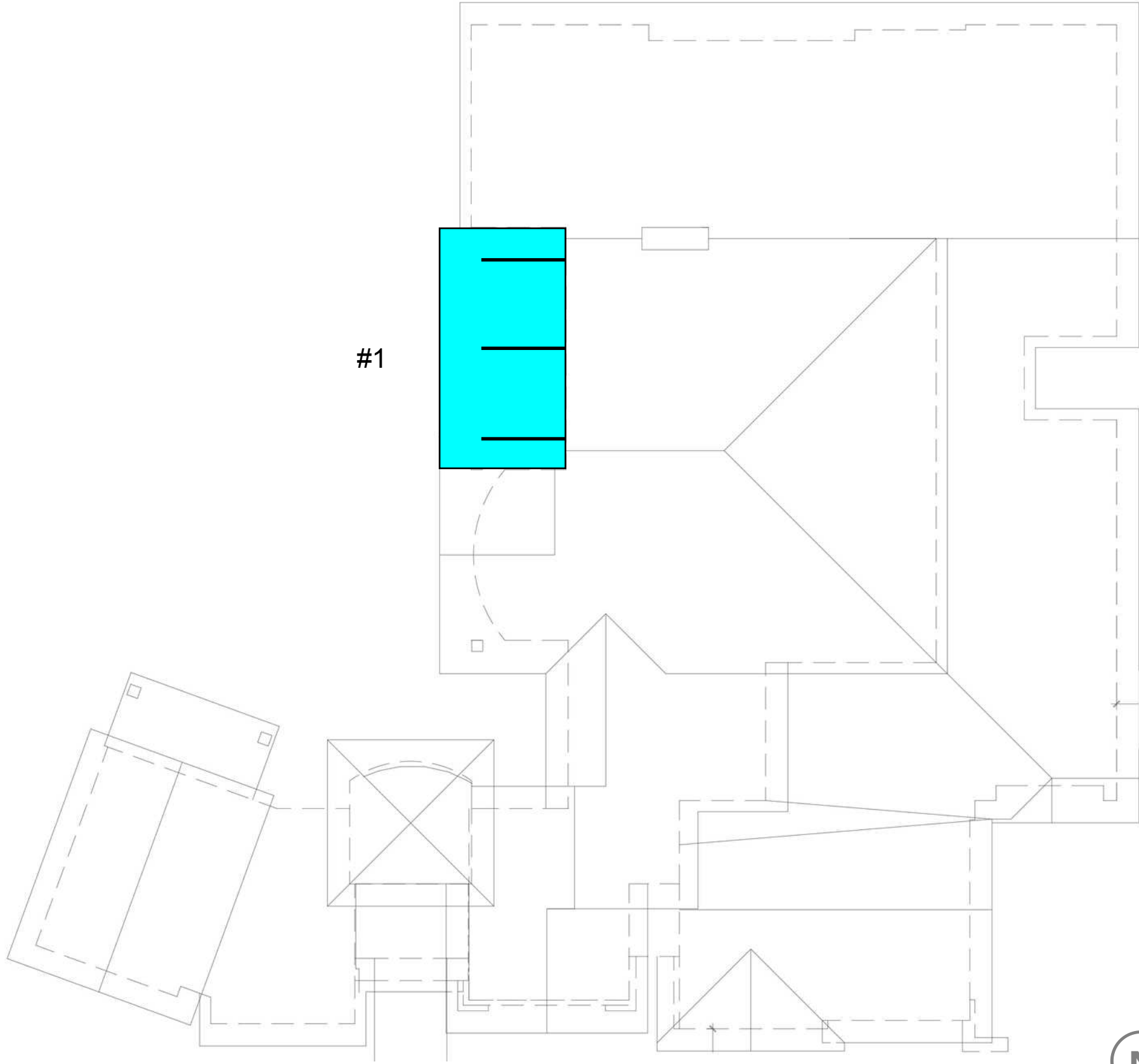
Based off Plans Dated
01.12.2012

JOB No.
5095

1 - 5

THIS DRAWING IS THE PROPERTY OF ARCHITECTURAL FABRICATION OF FORT WORTH, TEXAS AND ALL RIGHTS TO ITS REPRODUCTION AND DISPLAY ARE RESERVED BY ARCHITECTURAL FABRICATION, INC.

TYPE-A1



1

RCP
scale: N.T.S.



**Architectural
Fabrication**
2100 E Richmond Avenue
Fort Worth, TX 76104
Tel: 800.962.8027
Tel: 817.926.7270
Fax: 817.926.7311
www.arch-fab.com

CLIENT
Carlos F. Jauregui
10027 Hillisdale Ln
Frisco, TX 75033
ARCHITECT
GRAHAM - MARTIN, LTD.

PROJECT
Carlos F. Jauregui
10027 Hillisdale Ln
Frisco, TX 75033

ISSUE
03.17.2015
RE-ISSUE
03.25.2015
REV. 1
DRAWN BY:
Kent Maxwell

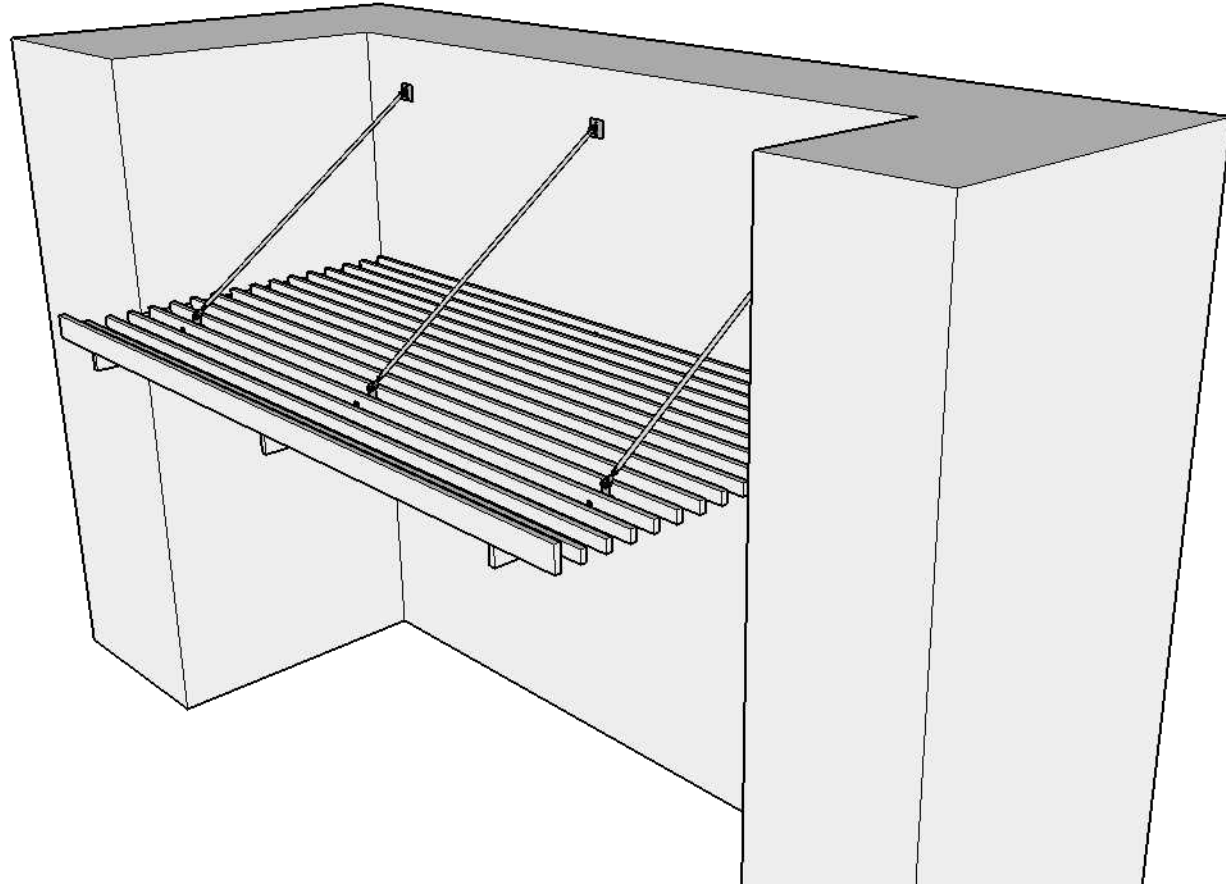
DESCRIPTION
RCP
SALESPERSON
Chris Northrup
PROJECT MANAGER
Peter Bixby
peterb@arch-fab.com

Based off Plans Dated
01.12.2012

**JOB No.
5095**

2 - 5

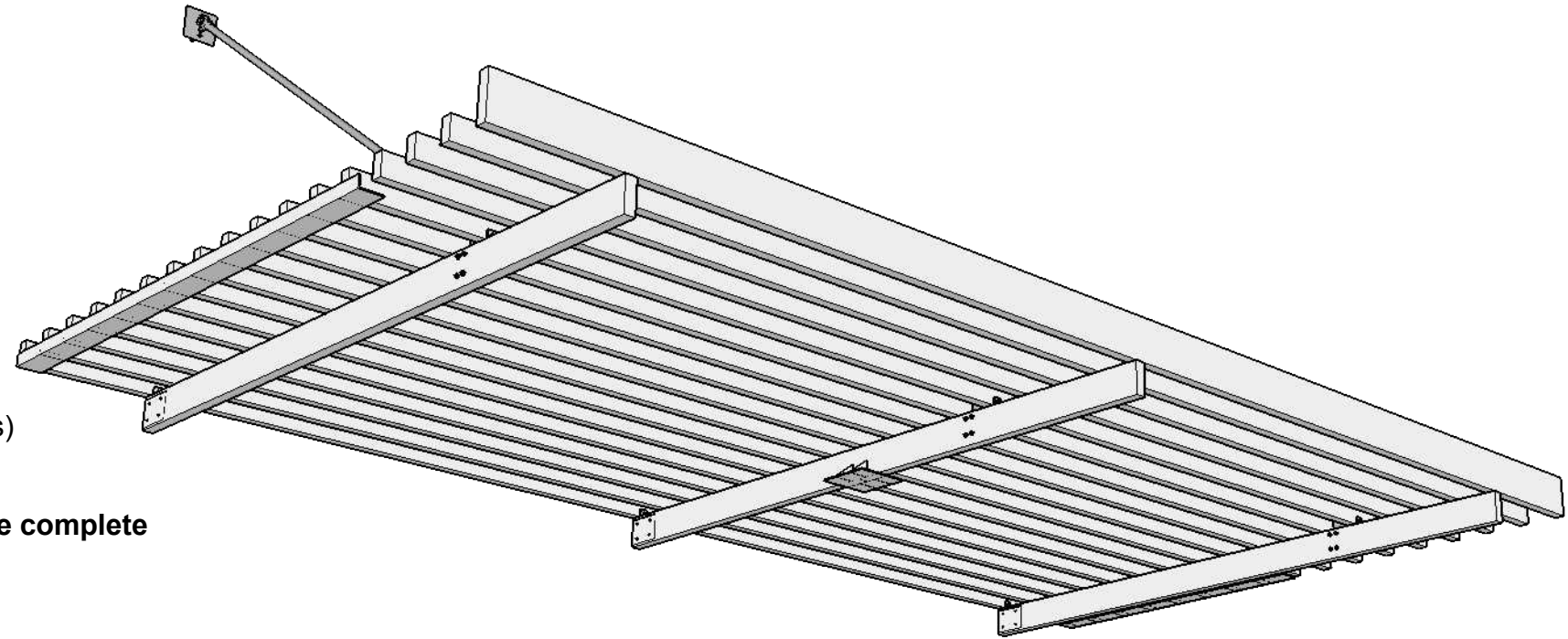
THIS DRAWING IS THE PROPERTY OF ARCHITECTURAL FABRICATION OF FORT WORTH, TEXAS AND ALL RIGHTS TO ITS REPRODUCTION AND DISPLAY ARE RESERVED BY ARCHITECTURAL FABRICATION, INC.



PERSPECTIVE ELEVATION

scale: N.T.S.

1



PERSPECTIVE ELEVATION

scale: N.T.S.

2

Trellis Type A1 Schedule

Number	Projection	Length
1	10' - 0"	21' - 6"

Notes:

- Frame, Turnbuckles, and Bracket finish: Powder Coat (RAL 8019 Low Gloss)
- Trellis construction to be mechanically fastened.
- Building to be field measured prior to fabrication.
- **Four to six weeks lead time for production after field measurements are complete and approved submittals.**

CLIENT
Carlos F. Jauregui
10027 Hillisdale Ln
Frisco, TX 75033
ARCHITECT
GRAHAM - MARTIN, LTD.

PROJECT
Carlos F. Jauregui
10027 Hillisdale Ln
Frisco, TX 75033

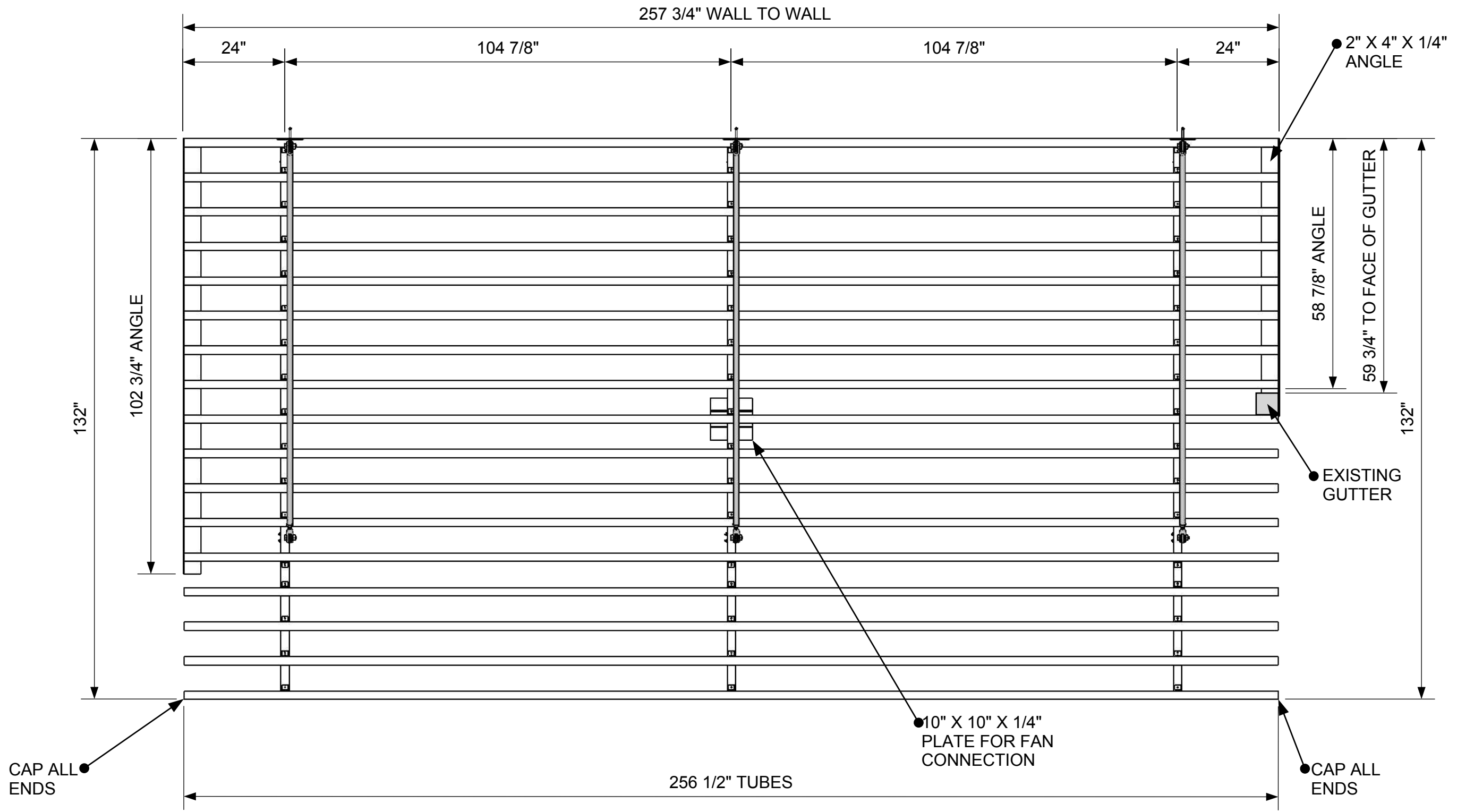
ISSUE
03.17.2015
RE-ISSUE
03.25.2015
REV. 1
DRAWN BY:
Kent Maxwell

DESCRIPTION
Trellis Type A1
SALESPERSON
Chris Northrup
PROJECT MANAGER
Peter Bixby
peterb@arch-fab.com

Based off Plans Dated
01.12.2012

**JOB No.
5095**

3 - 5



1

PLAN VIEW
scale: 1/2" = 1'-0"

CLIENT
Carlos F. Jauregui
10027 Hillisdale Ln
Frisco, TX 75033
ARCHITECT
GRAHAM - MARTIN, LTD.

PROJECT
Carlos F. Jauregui
10027 Hillisdale Ln
Frisco, TX 75033

ISSUE
03.17.2015
RE-ISSUE
03.25.2015
REV. 1
DRAWN BY:
Kent Maxwell

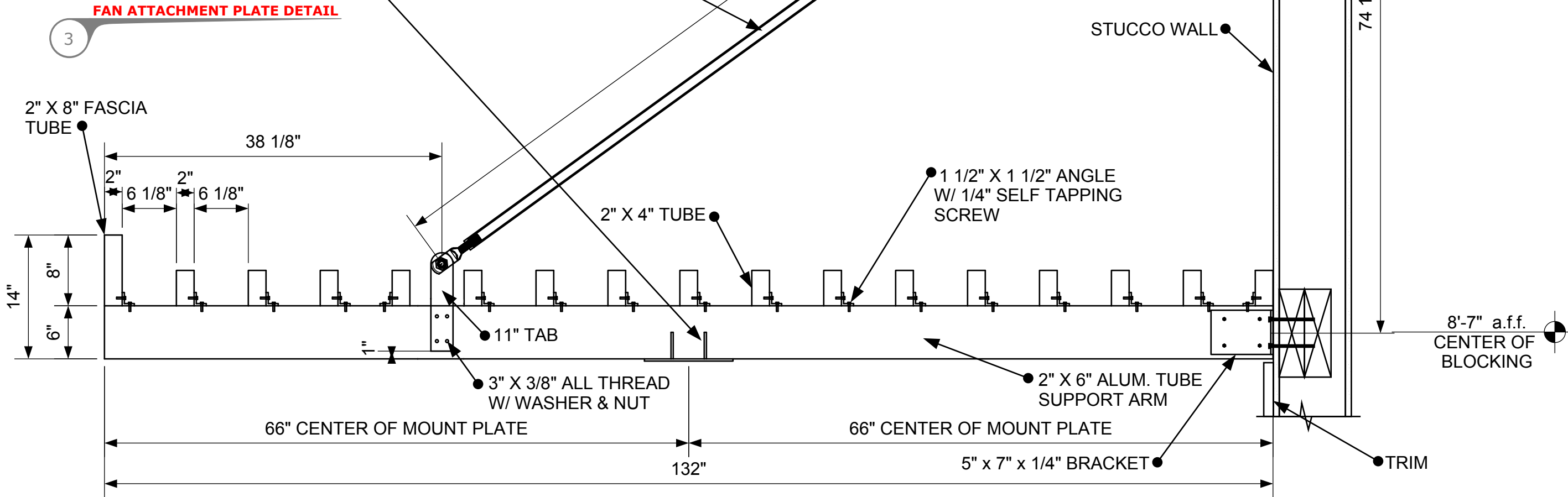
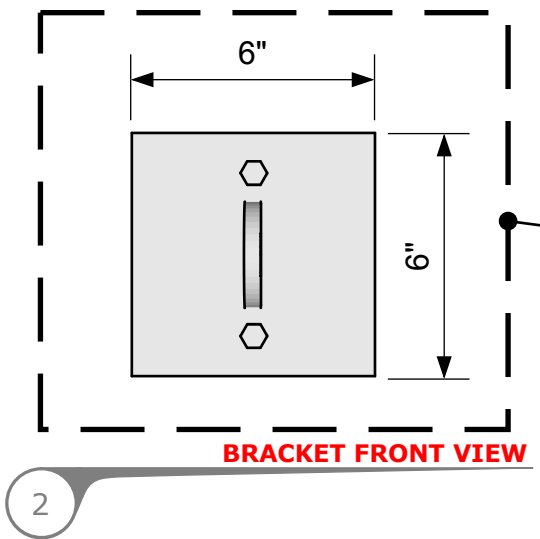
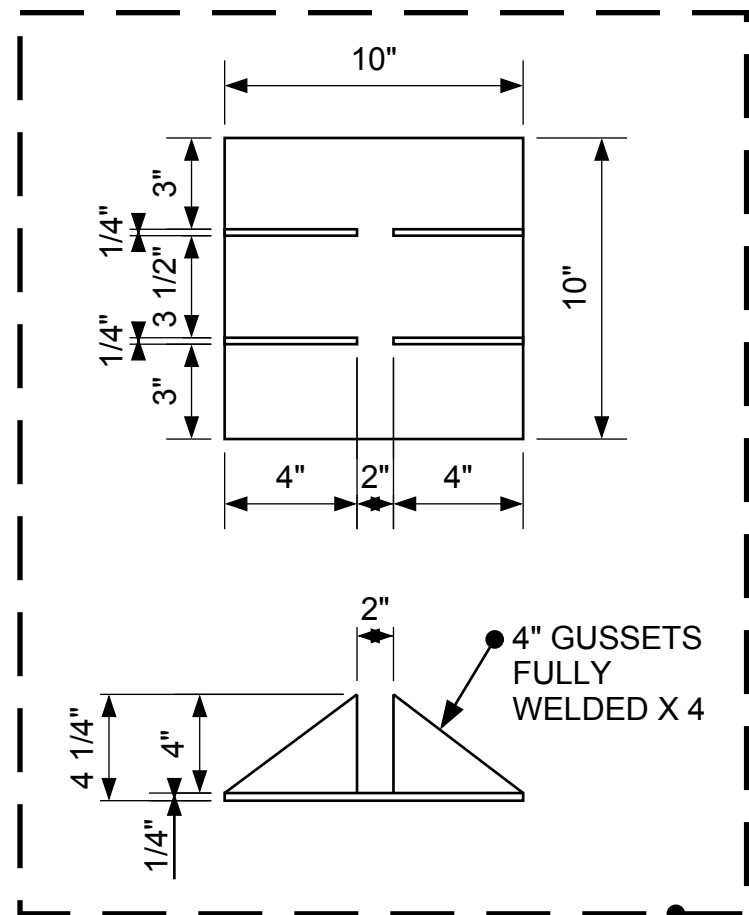
DESCRIPTION
Awning Type A1
SALESPERSON
Chris Northrup
PROJECT MANAGER
Peter Bixby
peterb@arch-fab.com

Based off Plans Dated
01.12.2012

**JOB No.
5095**

4 - 5

THIS DRAWING IS THE PROPERTY OF ARCHITECTURAL FABRICATION OF FORT WORTH, TEXAS AND ALL RIGHTS TO ITS REPRODUCTION AND DISPLAY ARE RESERVED BY ARCHITECTURAL FABRICATION, INC.



SECTION DETAIL
scale: 1" = 1'-0"

CLIENT
Carlos F. Jauregui
10027 Hillisdale Ln
Frisco, TX 75033
ARCHITECT
GRAHAM - MARTIN, LTD.

PROJECT
Carlos F. Jauregui
10027 Hillisdale Ln
Frisco, TX 75033

ISSUE
03.17.2015
RE-ISSUE
03.25.2015
REV. 1
DRAWN BY:
Kent Maxwell

DESCRIPTION
Section Type A1
SALESPERSON
Chris Northrup
PROJECT MANAGER
Peter Bixby
peterb@arch-fab.com

Based off Plans Dated
01.12.2012

JOB No.
5095

5 - 5

THIS DRAWING IS THE PROPERTY OF ARCHITECTURAL FABRICATION OF FORT WORTH, TEXAS AND ALL RIGHTS TO ITS REPRODUCTION AND DISPLAY ARE RESERVED BY ARCHITECTURAL FABRICATION, INC.