



2100 E. Richmond Ave  
Fort Worth, TX 76104  
Call: 817.926.7270  
Fax: 817.926.7311  
www.arch-fab.com

# MODEL: SUNSHADE

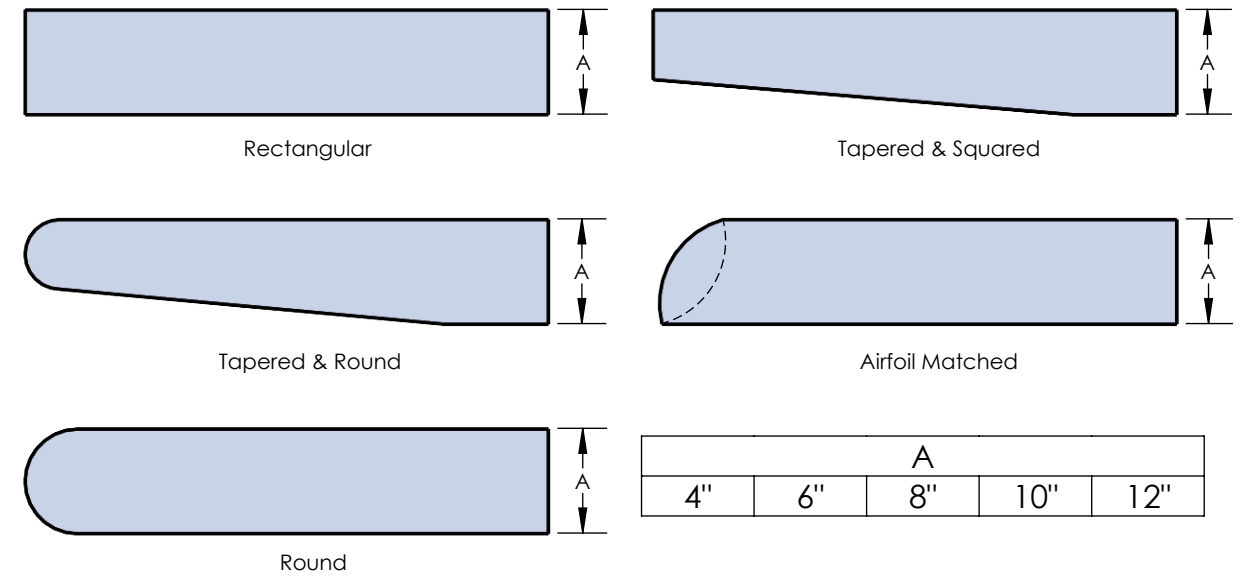
Custom Model - AS101F17

Information is subject to change. Updated 6/5/2019

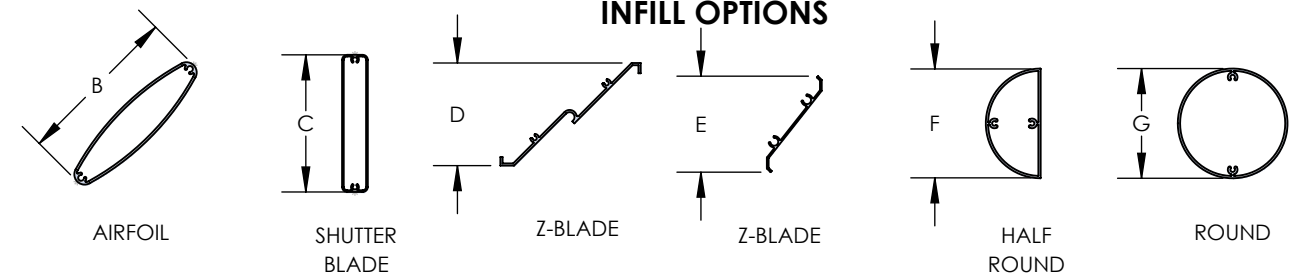
## Application

Architectural Fabrication, Inc. Sunshades are designed to provide a unique architectural feel to the exterior appearance of a building while providing rain and sun protection. All of our Sunshades have many customizable options to best suit your project.

## OUTRIGGER OPTIONS



## INFILL OPTIONS



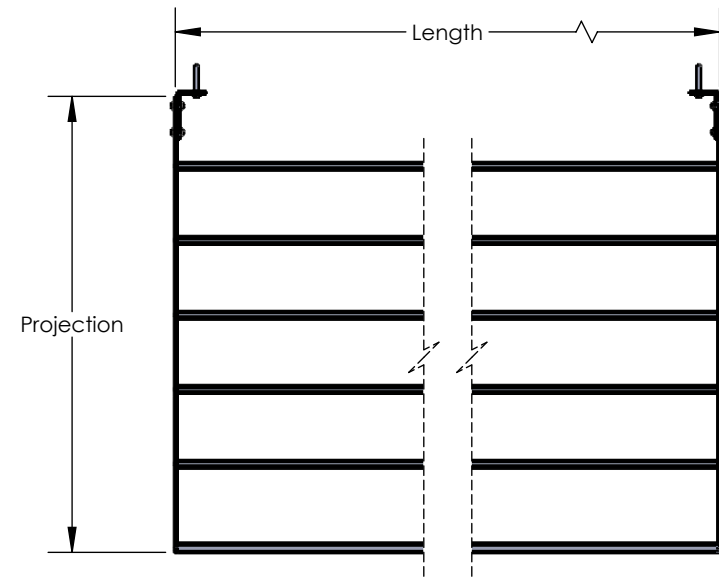
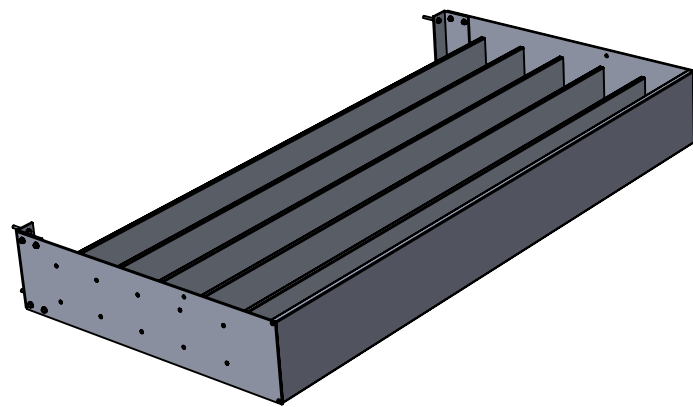
B			4"		6"	8"	10"	12"
C		3"	4"	5"	6"	8"	10"	12"
D				5"				
E	2"	3"	4"		6"			
F		3"		5"				
G	2"	3"						

## STANDARD POWDER COAT COLORS

Colors represented in this brochure are indicative only. Actual powder coat colors may vary.



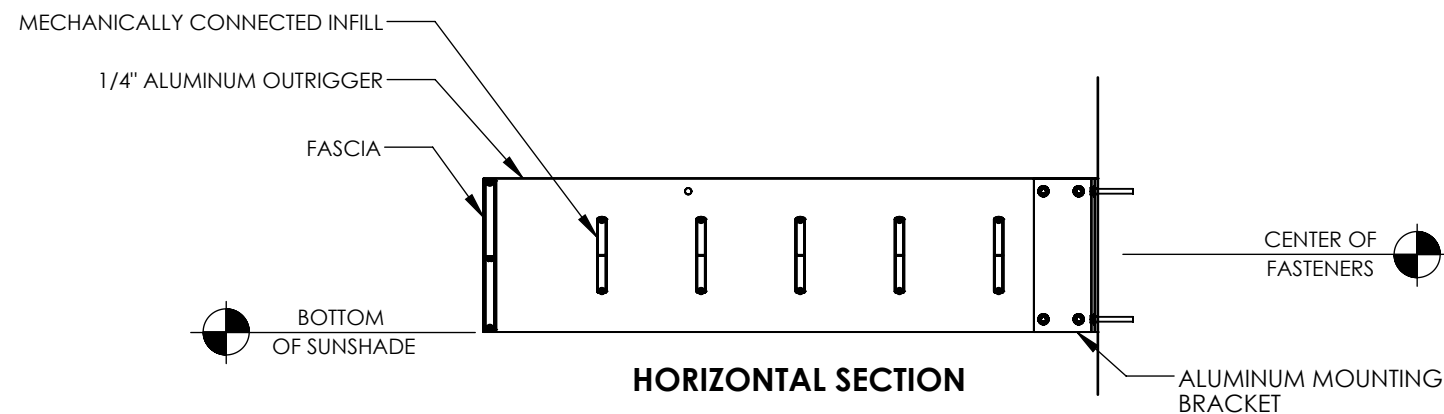
Custom colors, wood grain powder coat, Kynar, and anodized finishes available.



STANDARD PLAN VIEW

## SUNSHADE STANDARD CONSTRUCTION

Material: 6063-T5 Extruded Aluminum  
Fabrication Method: Mechanically Fastened  
Infill Shape: 6" x 1" Shutter Blade  
Fascia Profile: 12" x 1" Shutter Blade  
Projection: 12" - 144"  
Width: Single unit width depends on Infill, Different infills have their max span limitations based on the orientation.  
Multiple units Unlimited.  
Mounting: Exposed, Welded or Extruded Aluminum  
Hardware: Stainless Steel



HORIZONTAL SECTION