



2100 E. Richmond Ave  
Fort Worth, TX 76104  
Call: 817.926.7270  
Fax: 817.926.7311  
www.arch-fab.com

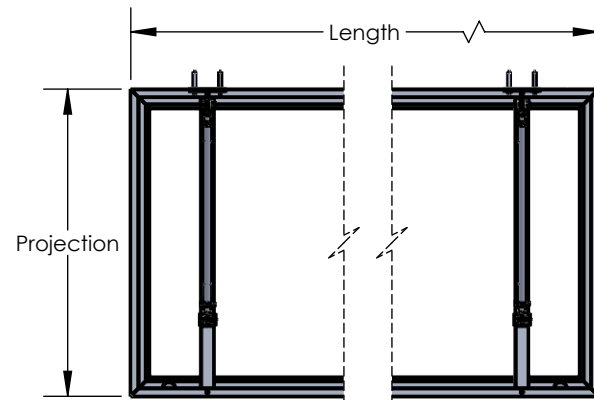
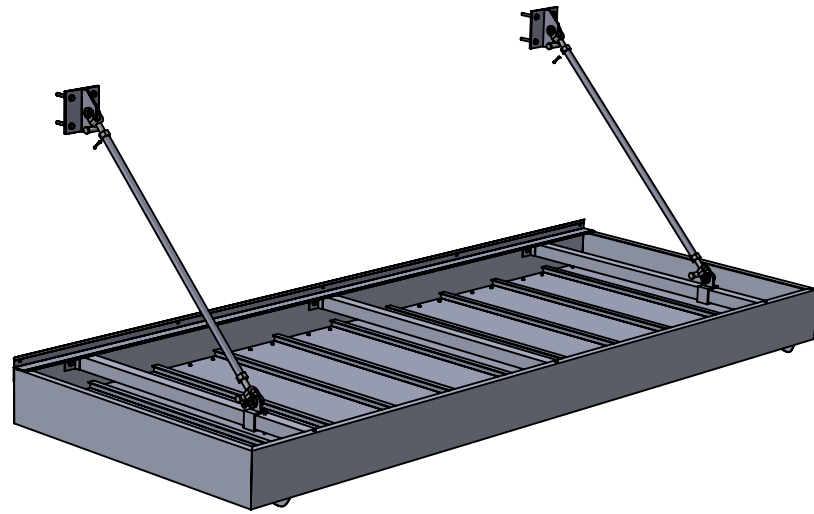
# MODEL: HELIOS

Extruded Aluminum Canopy

Information is subject to change. Updated 12/30/2020

## Application

Architectural Fabrication, Inc. Helios canopies are designed to provide a unique architectural feel to the exterior appearance of a building while providing rain and sun protection. All of our Helios canopies have many customizable options to best suit your project.

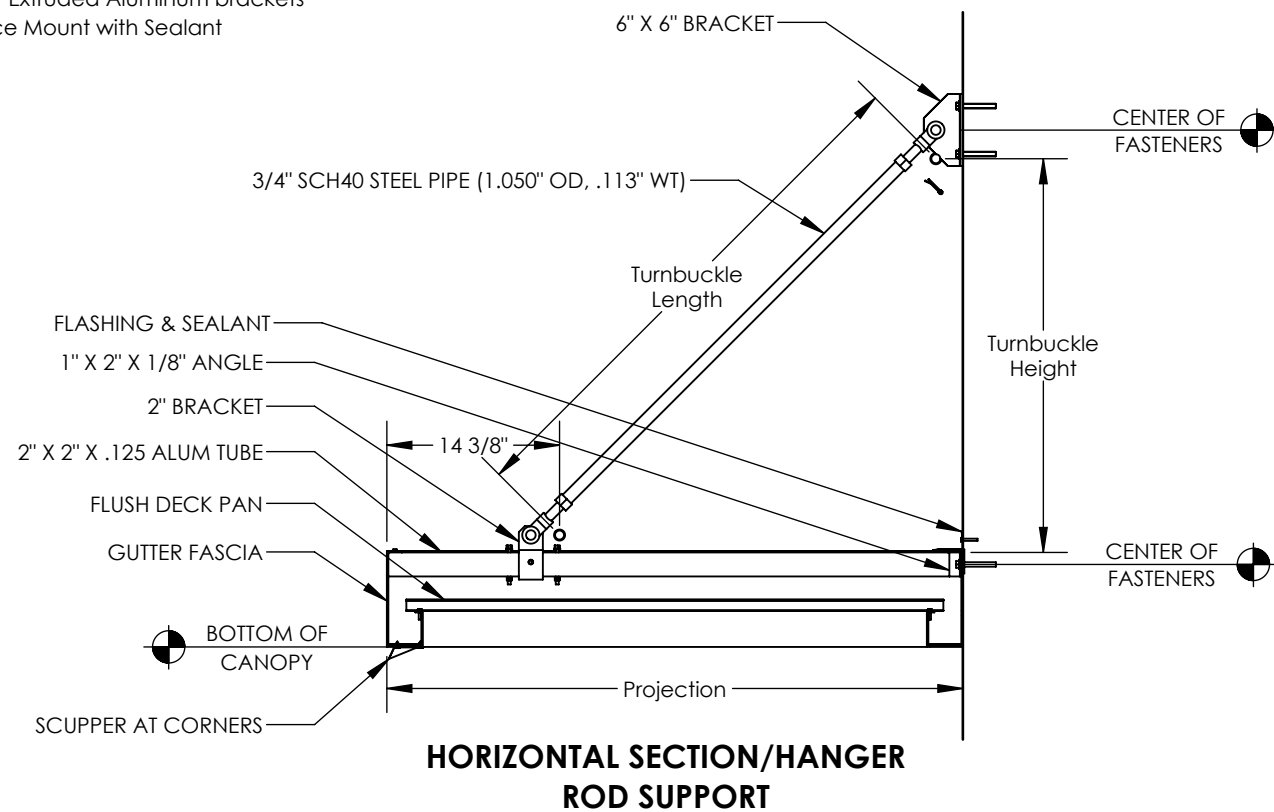


### STANDARD PLAN VIEW

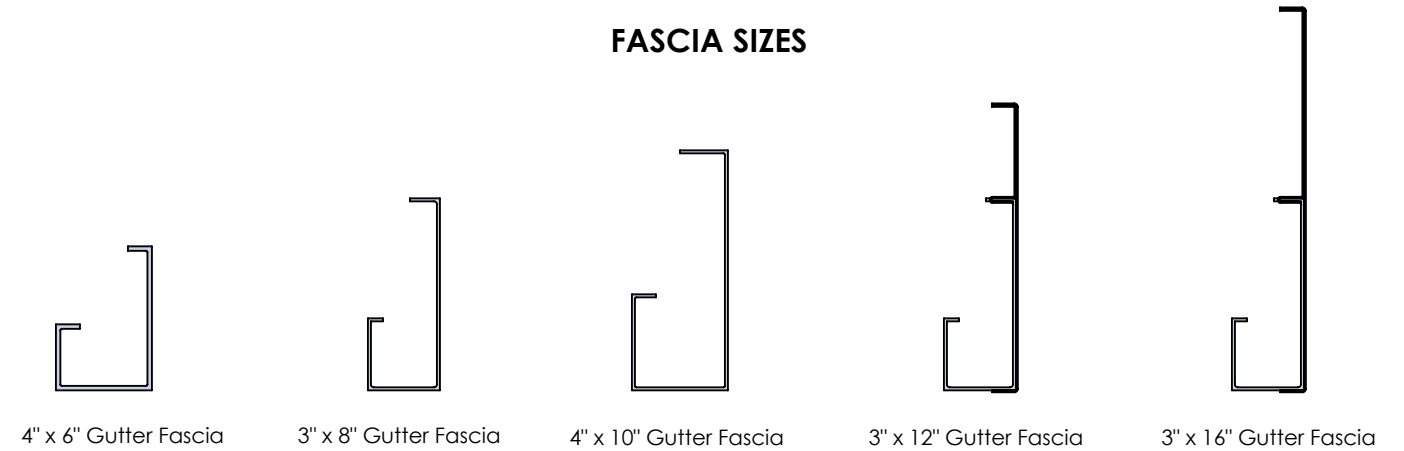
Deck pan and Flashing removed for clarity.

## HELIOS STANDARD CONSTRUCTION

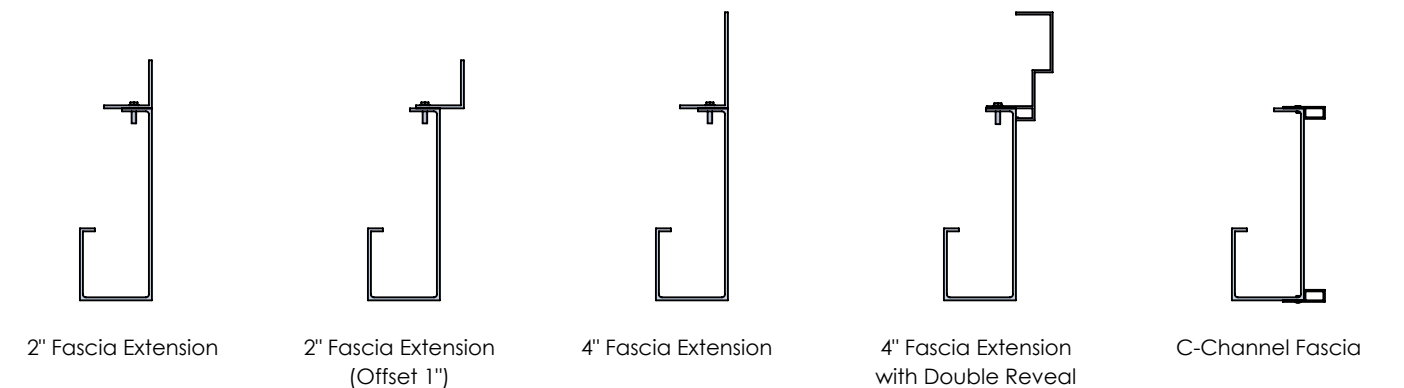
- Material: 6063-T5 Extruded Aluminum
- Fabrication Method: Welded and Mechanically Fastened
- Deck Pan: 1" x 12" Roll Formed
- Turnbuckle: 3/4" Sch40 Steel Pipe, zinc plated
- Fascia Profile: 3" x 8" Gutter Fascia
- Projection: 12"-144"
- Width: Single unit up to 288", Multiple units unlimited
- Mounting: Concealed
- Scuppers: Stamped Aluminum, 2 per unit
- Brackets: 6" x 6" Extruded Aluminum brackets
- Flashing: Surface Mount with Sealant



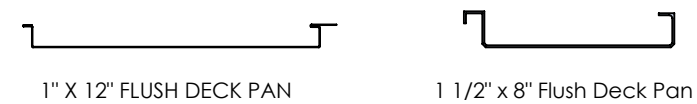
## FASCIA SIZES



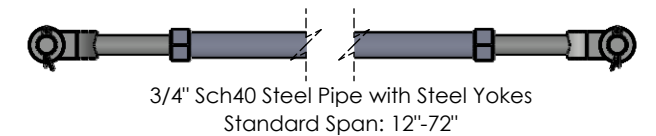
## FASCIA ADD-ONS (AVAILABLE FOR ANY FASCIA SIZE)



## DECK PAN



## TURNBUCKLE



## STANDARD POWDER COAT COLORS

Colors represented in this brochure are indicative only. Actual powder coat colors may vary.



Custom colors, wood grain powder coat, Kynar, and anodized finishes available.