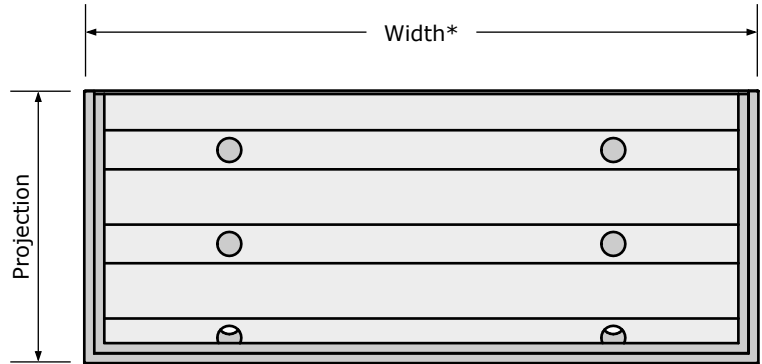
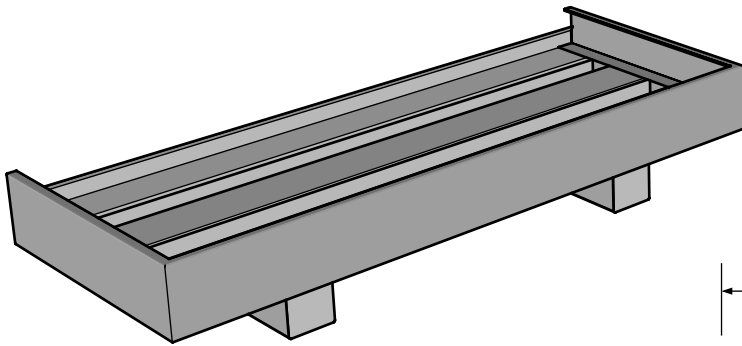


Application

Architectural Fabrication, Inc. Atlas canopies are designed to provide rain and sun protection while having a substantial profile. These canopies are engineered with aluminum framing and 20 year finish Kynar coated panels. Durable and good looking in the standard form, this canopy has many custom options to fit your job.



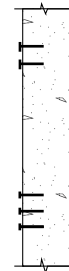
Plan View
(standard)

Hyperion W/ACM Standard Construction:

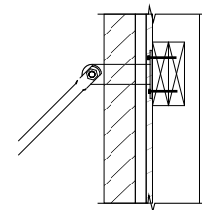
- Frame Material:** 6063-T5 Extruded Aluminum.
- Soffit Material:** Pre-Finished Kynar Sheet.
- Soffits:** 12" Wide, 1" Tall Profile, Flush.
- Fabrication Method:** Welded and Mechanically Fastened.
- Mounting:** Concealed.
- Width:** Unlimited
- Fascia Profile:** Flat Aluminum Sheet .063 to .125.
- Projection:** 12" - 120"
- Infill Shape:** Extruded Alum Deck Pan or Rollformed Alum Roof Pan.
- Optional Supports:** Adjustable 1" Steel Zinc Plated Hanger Rods.
- Scuppers:** Stamped Aluminum.
- Optional Brackets:** 6"x6".
- Flashing:** Surface Mount.

Additional Custom Options:

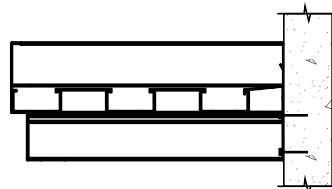
- 12" Fascia Standard:**
 - Optional 18" Fascia
 - Optional 24" Fascia
 - Custom _____
- Projection:** (Support may be required if over 48")
 - 36" 42" 48" 60"
 - Custom _____ inches
- Downspouts:**
 - 3" x 3"
- Wall Plates:**
 - 2" x 5" Cast Bracket
 - 8" x 8" Steel Plate (Galvanized)
 - Custom Bracket _____
- Soffits:**
 - Vented
 - Different Color from Canopy
 - Cut Outs for Lights
- Flashing:**
 - Reglet Cut
- Finish:**
 - Anodized
 - Powder Coated
 - Paint Grip Panels (For Painting Onsite)
- Berridge Sheet Metal:**
 - Standard Color
 - Premium/Metallic Colors



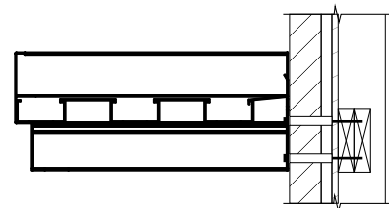
**Horizontal Section/Hanger
Rod Support**
(optional)



**(Top) Plate w/ Tab Thru Brick
to Wood Blocking Section**
(optional)



(Bottom) to Tilt Wall Section
(Standard)



**(Bottom) Crush Tube Thru
Brick to Wood Blocking Section**
(optional)